

# GLADEN®

GERMAN TECHNOLOGY

## RS 12 FA

### Speaker Specifications

|                     |     |                  |         |
|---------------------|-----|------------------|---------|
| Power               | Pe  | <b>400 / 600</b> | RMS/Nom |
| DC resistance       | Rdc | <b>3,9</b>       | Ω       |
| Nominal impedance   | ZN  | <b>4</b>         | Ω       |
| Resonance frequency | fs  | <b>28,1</b>      | HZ      |
| Voice coil diameter |     | <b>2,5</b>       | inch    |

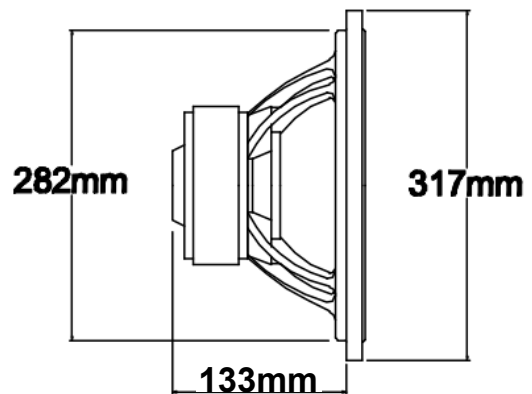
|                     |     |             |
|---------------------|-----|-------------|
| Mechanical Q factor | Qms | <b>5,79</b> |
| Electrical Q factor | Qes | <b>0,58</b> |
| Total Q factor      | Qts | <b>0,53</b> |

|                       |     |              |                 |
|-----------------------|-----|--------------|-----------------|
| Moving mass           | Mms | <b>143,3</b> | g               |
| Effective piston area | Sd  | <b>490</b>   | cm <sup>2</sup> |
| Mechanical resistance | Rms | <b>4,4</b>   | Kg/s            |
| Compliance            | Cms | <b>0,22</b>  | mm/N            |
| Force factor          | BL  | <b>13,2</b>  | Tm              |
| Equivalent air volume | Vas | <b>92,2</b>  | dm <sup>3</sup> |
| SPL 2,83V/1m          |     | <b>90,3</b>  | dB              |



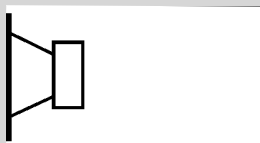
### Diameter

|                       |                            |
|-----------------------|----------------------------|
| External diameter     | <b>317 mm / 12,48 inch</b> |
| Installation diameter | <b>282 mm / 11,1 inch</b>  |
| Installation depth    | <b>133 mm / 5,24 inch</b>  |
| Magnet diameter       | <b>150 mm / 5,91 inch</b>  |

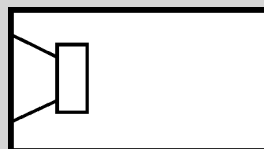


### Recommended Boxes (including Ports and Drivers)

#### Free Air

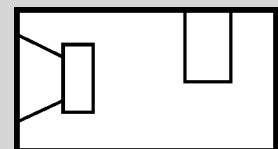


#### Sealed Box



V: **32 l**

#### Vented Box



V: **48 l**

d: 100 / 3,94 mm / inch  
l: 200 / 7,87 mm / inch