

M 15

Speaker Specifications

Power	Pe	400 / 600	RMS/Nom
DC resistance	Rdc	3,9	Ω
Nominal impedance	ZN	4	Ω
Resonance frequency	fs	27,6	Hz
Voice coil diameter		2,5	inch

Mechanical Q factor	Qms	5,05
Electrical Q factor	Qes	0,54
Total Q factor	Qts	0,49

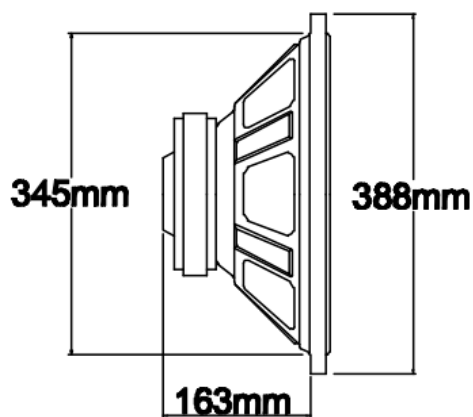
Moving mass	Mms	168,2	g
Effective piston area	Sd	830	cm ²
Mechanical resistance	Rms	5,8	Kg/s
Compliance	Cms	0,20	mm/N
Force factor	BL	14,7	Tm
Equivalent air volume	Vas	178,8	dm ³
SPL 2,83V/1m		93,3	dB

Cone: Paper	Spider: Nomex
Surround: Rubber	Coil former: Aluminium
Basket: Steel	Dust cap: PP



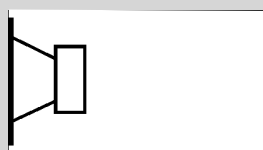
Diameter

External diameter	388 mm / 15,28 inch
Installation diameter	345 mm / 13,58 inch
Installation depth	163 mm / 6,42 inch
Magnet diameter	160 mm / 6,30 inch

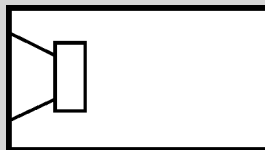


Recommended Boxes (including Boxes and Drivers)

Free Air

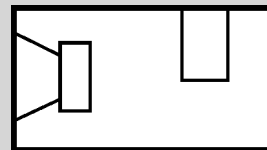


Sealed Box



V: **60 l**

Vented Box



V: **90 l**

d: 2 x 100 mm / 3,94 inch
l: 200 mm / 7,87 inch