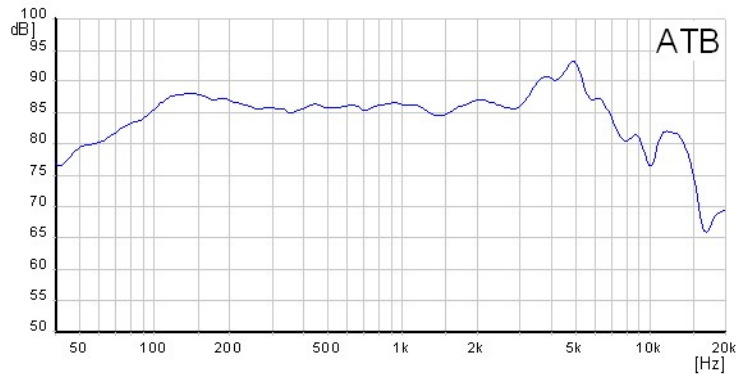


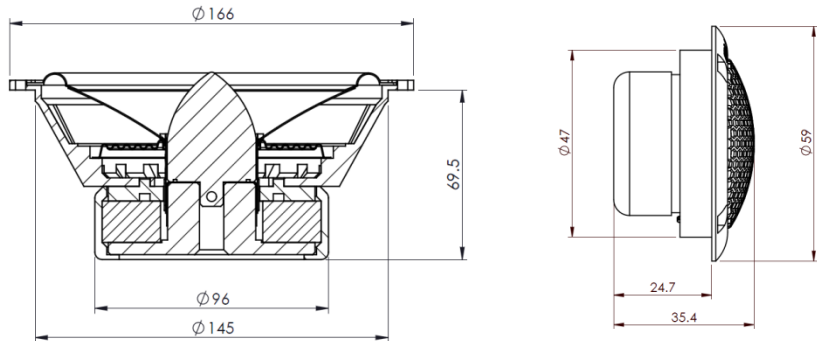
## ZERO PRO 165.2 PP AKTIV

### Midrange specifications:

Name		<b>HG-165ZPPP-3</b>
DC resistance	Rdc	<b>2,5 Ω</b>
Nominal impedance	ZN	<b>3 Ω</b>
Resonance frequency	fs	<b>53,86 HZ</b>
Voice coil diameter		<b>37 mm</b>
Mechanical Q factor	Qms	<b>3,92</b>
Electrical Q factor	Qes	<b>0,45</b>
Total Q factor	Qts	<b>0,40</b>
Moving mass Mms		<b>14,22 g</b>
Effective piston area	Sd	<b>135 cm<sup>2</sup></b>
Mechanical resistance	Rms	<b>1,23 Kg/s</b>
Compliance	Cms	<b>0,61 mm/N</b>
Force factor	BL	<b>5,17 Tm</b>
Equivalent air volume	Vas	<b>15,71 dm<sup>3</sup></b>
Efficiency	η	<b>0,53 %</b>
SPL 2,83V/1m		<b>94,26 dB</b>



Cone:	<b>Paper</b>
Spider:	<b>Nomex</b>
Surround:	<b>Rubber</b>
Coil former:	<b>Aluminum</b>
Basket:	<b>Aluminum</b>
Phase Plug:	<b>Aluminum</b>



### Tweeter specifications:

Name		<b>HG-28PV</b>
DC resistance	Rdc	<b>3,4 Ω</b>
Nominal impedance	ZN	<b>4 Ω</b>
Resonance frequency	fs	<b>800 HZ</b>
Voice coil diameter		<b>28 mm</b>

