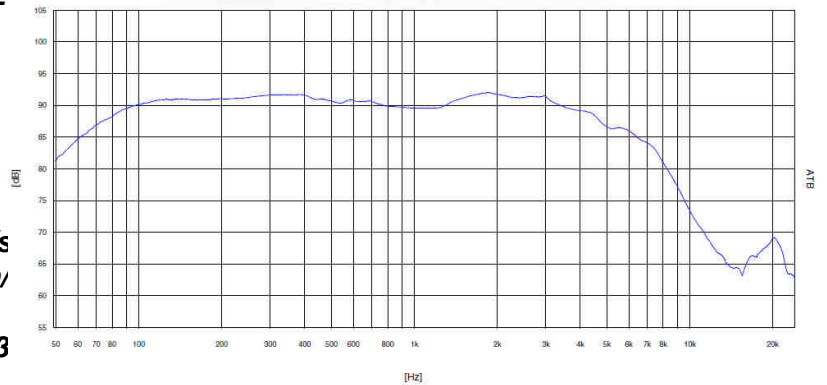


RS-X 165

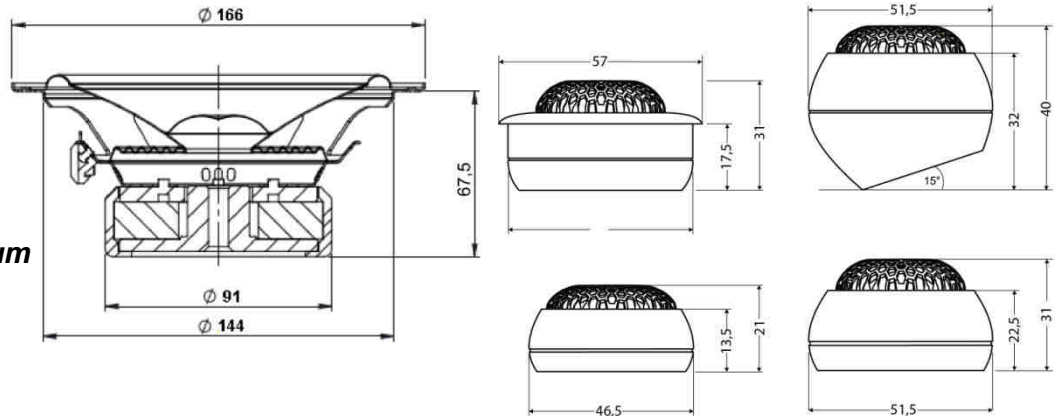
Midrange specifications:



Name		HG-165RSX-3
DC resistance	R _{dc}	2,7 Ω
Nominal impedance	Z _N	3 Ω
Resonance frequency	f _s	71,79 HZ
Voice coil diameter		25 mm
Mechanical Q factor	Q _{ms}	3,37
Electrical Q factor	Q _{es}	0,73
Total Q factor	Q _{ts}	0,60
Moving mass	M _{ms}	13,65 g
Effective piston area	S _d	135cm²
Mechanical resistance	R _{ms}	1,99 Kg/s
Compliance	C _{ms}	0,36 mm/
Force factor	BL	4,58Tm
Equivalent air volume	V _{as}	9,22 dm³
Efficiency	η	0,45%
SPL 2,83V/1m		93,24 dB



Cone: **Paper**
 Spider: **Nomex**
 Surround: **Rubber**
 Coil former: **Aluminum**
 Basket: **Steel**
 Dust cap: **Paper**



Tweeter specifications:

Name		HG-28GF
DC resistance	R _{dc}	3,5 Ω
Nominal impedance	Z _N	4 Ω
Resonance frequency	f _s	1290 HZ
Voice coil diameter		28 mm

