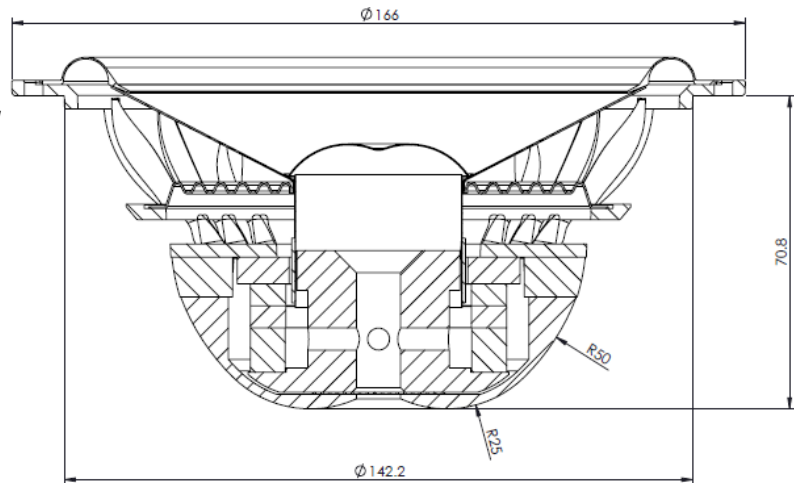


AEROSPACE 165 DC

Specifications:

| | | |
|-----------------------|-----|----------------------------|
| Name | | HG-165AeroDC-3 |
| DC resistance | Rdc | 2,7 Ω |
| Nominal impedance | ZN | 3 Ω |
| Resonance frequency | fs | 49 HZ |
| Voice coil diameter | | 37 mm |
| Mechanical Q factor | Qms | 7,1 |
| Electrical Q factor | Qes | 0,63 |
| Total Q factor | Qts | 0,58 |
| Moving mass Mms | | 14,5 g |
| Effective piston area | Sd | 135 cm² |
| Mechanical resistance | Rms | 0,63 Kg/s |
| Compliance | Cms | 0,73mm/N |
| Force factor | BL | 4,4Tm |
| Equivalent air volume | Vas | 18,5 dm³ |
| Efficiency | η | 0,33 % |
| SPL 2,83V/1m | | 92,0 dB |



| | |
|--------------|-------------------|
| Cone: | GLADEN C7 |
| Spider: | Connex |
| Surround: | SBR |
| Coil former: | Fibreglass |
| Basket: | Aluminum |
| Dust Cap: | Silk |

