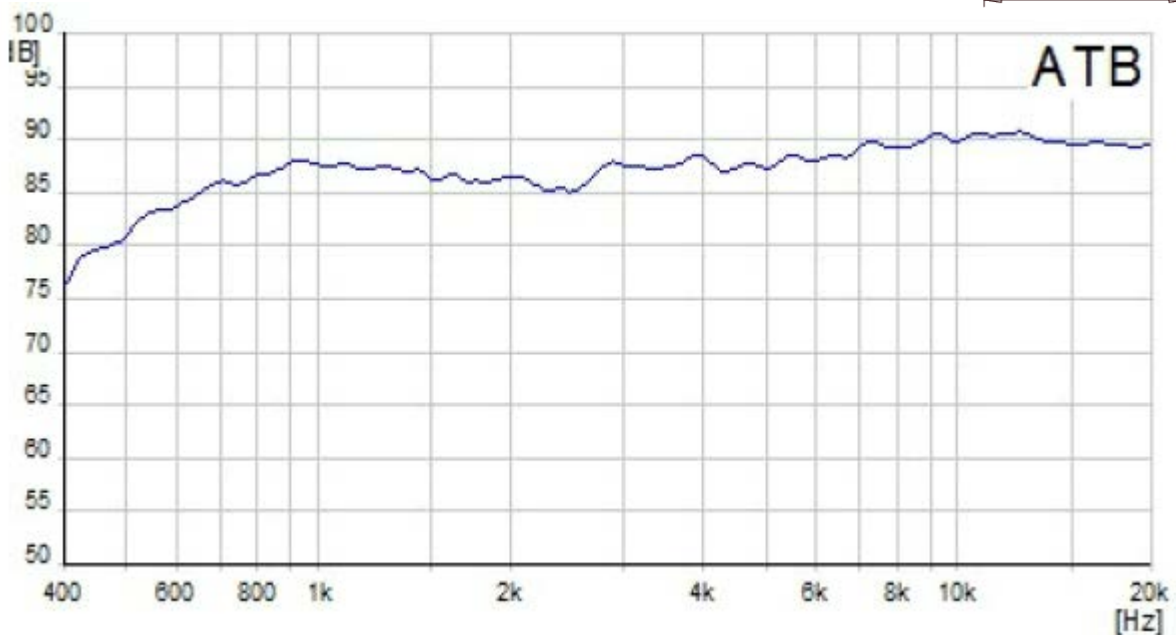
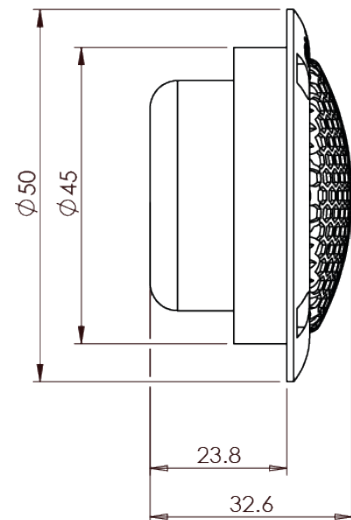


PRO 25

Specifications:



Name		HG-25PRO
DC resistance	<i>R_{dc}</i>	3,4 Ω
Nominal impedance	<i>Z_N</i>	4 Ω
Resonance frequency	<i>f_s</i>	720 HZ
Voice coil diameter		25 mm
Dome/Kalotte		Fine cloth
Cut-off Frequency / Trennfrequenz		> 3000 Hz 12 dB/Oct > 2300 Hz 18 dB/Oct > 1600 Hz 24dB/Oct



PRO 165

Specifications:



Cone: Paper (sand coated)
Spider: Nomex
Surround: SBR (rubber)
Coil former: Fibreglass (GFK)
Basket: Aluminum
Dust cap: Fabric

Name		HG-165PRO DC-3
DC resistance	R _{dc}	2,7 Ω
Nominal impedance	Z _N	3 Ω
Resonance frequency	f _s	58,79 HZ
Voice coil diameter		37 mm
Mechanical Q factor	Q _{ms}	10,44
Electrical Q factor	Q _{es}	0,7
Total Q factor	Q _{ts}	0,65
Moving mass M _{ms}		14,88 g
Effective piston area	S _d	135 cm ²
Mechanical resistance	R _{ms}	0,53 Kg/s
Compliance	C _{ms}	0,49 mm/N
Force factor	BL	4,61Tm
Equivalent air volume	V _{as}	12,61 dm ³
Efficiency	η	0,35 %
SPL 2,83V/1m		92,2 dB

